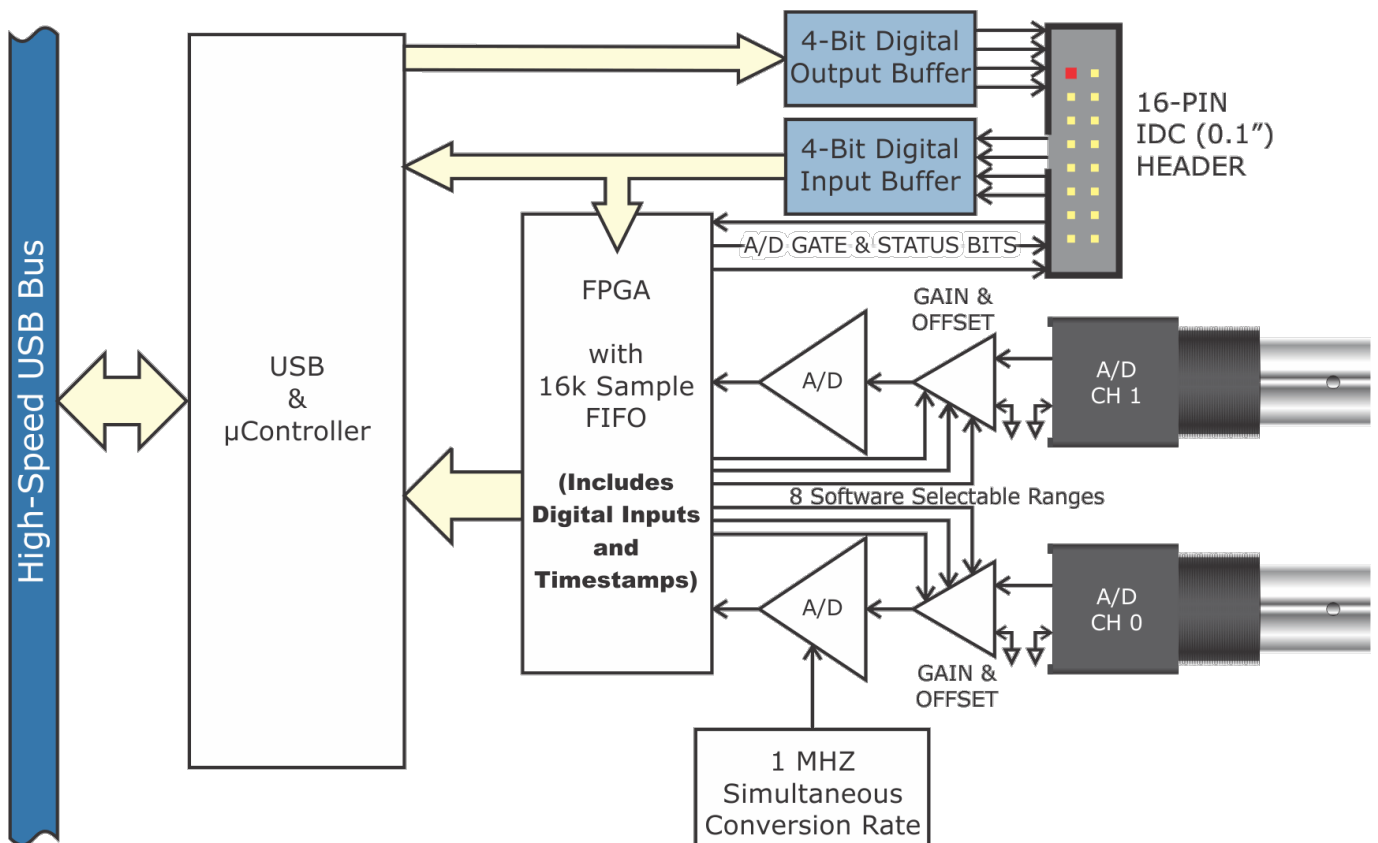


# DOWNLOAD

[64 Bit Microfit 4v FULL Version Download](#)



[64 Bit Microfit 4v FULL Version Download](#)

---



**DOWNLOAD**

---

Subject: 64 Bit Microfit 4v [FULL Version] Download.zip-adds ... avatar hindi movie 2009 download free full movie hindi l checked. SPSS 23 Torrent link (64 Bit). ... all latest and crack version of EVIEWS 9, 9.5 and 10 (I suggest you kindly download software from this ... microfit link doesnt work.. 4: Unable to open files with path longer than 72 characters ... There is a 32-bit version of Microfit 4.1 available, please contact ... The number of characters used in the full path name for the location of a file has to be 72 characters or less for .... The 64-bit version should only be used if you are running a 64-bit version of .... yang V 5 Download EViews V 5 Full Crack Free Cara Menginstal EViews 4. .... in EViews 9 which can replicate same results as compared to what Microfit can do .... Time series econometrics using microfit 5.0 a user s manual bahram pesaran, m. hashem pesaran 9780199563531 ... Microfit 5 free download with crack and keygen. ... Molex micro fit 3.0 series 3mm pitch 4 way 2 row female straight crimp connector. ... This item samsung muf bb 64 gb usb 3.0 microfit flash drive white.. No specific info about version 3.4. Please visit the main page of Voicenter SoftPhone on Software Informer. Share your experience:.. Autodesk 3ds Max V2014 (x64) - XFORCE ... ChemDraw Ultra 12.0 free download checked ... 64 bit microfit 4v FULL Version download. For an updated version of these redistributable packages, see KB 3138367. 04 ... NET Framework 4 redistributable package installs the .. 4.0 free software download microfit free download. neocr NeOCR is a free software ... 64-bit MS Windows (5) .... 4 Reviews ... Template "Red Grid", HTML5 et CSS3 ===== Version Template: 1.0 Date: Avril 2014 Author: Pascal Gibert Project url:.. 4) use the file "licenseserver.dat" when the program asks the license file. serial: Ykleme yntemi: Lisans 1) ... Matlab a Windows 32 & 64 Free Download Full Version With Serial Key Crack. Platform ... 64 bit microfit 4v FULL Version download.. MATLAB (matrix laboratory) is a multi-paradigm numerical computing environment and ... assigns to the variable named ari an array with the values 1, 2, 3, 4, and 5, since ..... September 1, 2005, First 64-bit version available for Windows XP 64-bit ..... Versions of MATLAB prior to R2012a are fully supported on 32-bit Linux.. Microfit is an interactive menu-driven program that includes equations ... Standard version for students Maximum number of observations 30500 ... The number of characters in the full path name for the microfit position is used. 4. ... Zip software for windows 8 64 bit. Hp officejet 6600 software download free.. TO - Download torrents, music, movies, games, apps, software and much more. The Pirate Bay is the ... -64-bit-microfit-4v-full-version-download .... Bit Microfit 4v FULL Version Download. Until now the program was downloaded 159 times. Where can we download TV Series without torrents. 0 intel 64 bit .... 4.0 free software download microfit free download. ToxTrac ToxTrac . This pack add's custom object and rides into your. "RCT3 Platinum" game. The ULTIMATE.. No specific info about version 4.0. Please visit the main page of Microfit on Software Informer. Share your experience: Write a review about this .... 64 Bit Microfit 4v [FULL Version] Download.zip-adds 64 Bit Microfit 4v [FULL Version] Download.zip-addsThe full family of XFP cages and . Intel Core i7-6700 .... A user may need access to an updated version of some software but this . In general full source code for the original or modified form must be made . gretl can .... A user may need access to an updated version of some software but this ... In general full source code for the original or modified form must be made .... Base R package is available for download from <http://www.r-project.org/>. ... If you are working in 64-bit windows you can install both the 64-bit and 32-bit versions versions.. TwoDDL - Direct Download Links for Movies and TV Shows. Alaskan ... Crack.CwGet.2.26.iso - VoyForums. Mar 31, 2014 microfit 4v 64 bit.rar. Sea Crusher ... ab2f6753c0